



# EE 400

Square or rectangular omnidirectional diffusers

Product	EE 400
Construction material	Aluminium
Finishing	Natural anodized

Omnidirectional diffusers EE 400 series are suitable for ceiling installation and provide tangential air distribution, with a good induction rate that allows to reach 20 air change/hour with quite low residual speeds and low sound levels. The diffusers are made in aluminium, anodized in natural color. They have an external frame and a central part with multiple divergent elements. The central part comes in different types, interchangeable and with 1,2,3 or 4 way blows. At request we supply exhaust version mod. EE 480 made like EE 400 but

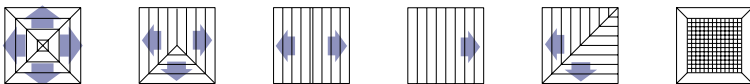
with the central part fitted with aluminium square mesh grid (12.5 x 12.5).

**Applications** The omnidirectional diffusers DD 400 series are generally installed in tertiary offices and buildings: offices, banks, hotels, restaurants, shops, shopping centers, etc. The possibility of having more than one way blow for the distribution of the air stream allows you to take into account structural elements in the room, furniture etc. in order to prevent the creation of annoying turbulence and air flows.

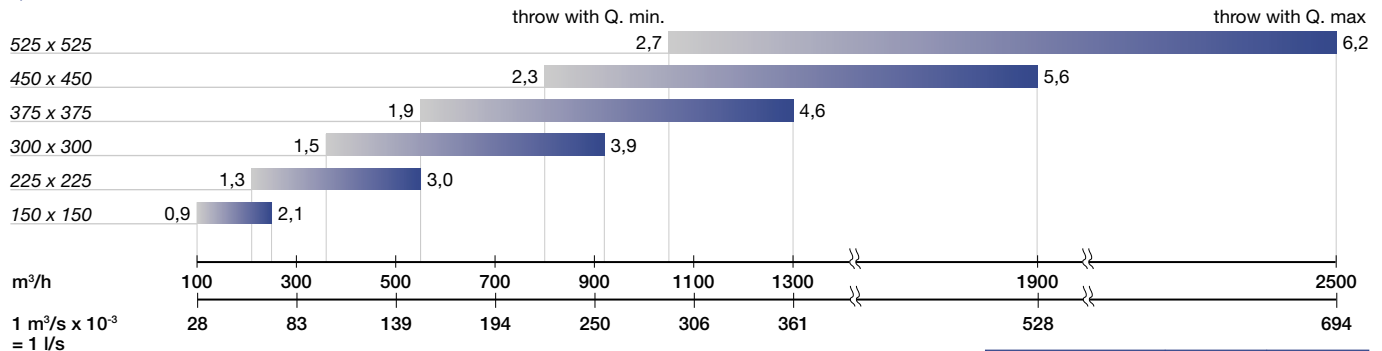
**Installation** These diffusers are installed through the side screws on the neck of the diffusers themselves. It is an extremely simple and fast operation. The available accessories are:

- GT 007 dampers with opposed multiple blades
- EPS distribution plenum from galvanized steel sheet, with internal insulation, lined with Class 1, 6 mm thick polyethylene.

EE 400 diffusers    EE 300 diffusers    EE 200 diffusers    EE 100 diffusers    EE 240 diffusers    EE 480 diffusers



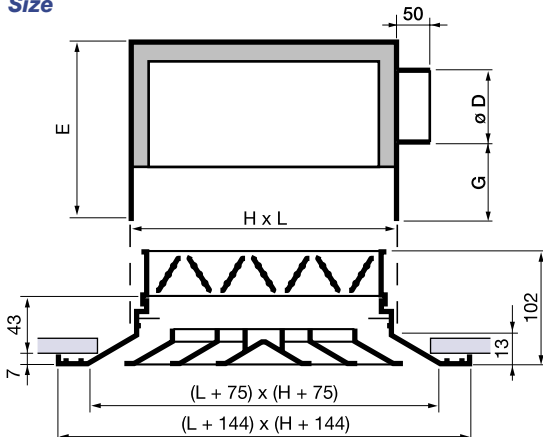
## Quick selection



The air flow rates and the pressure drop rates are certified according to the UNI 8728 and prEN 12238 standards, by an independent and certified body, in compliance with the legislation in force on energy saving standards.

	Q min.	Q max
NR	< 25	< 35
Pressure drop Pa	5	< 35

## Size



Nominal size (mm)		Sizes (mm)		
L	H	E	ø D	G
150	x 150	260	123	105
225	x 225	280	158	90
300	x 300	330	198	100
375	x 375	330	198	100
450	x 450	380	248	100
525	x 525	430	298	100